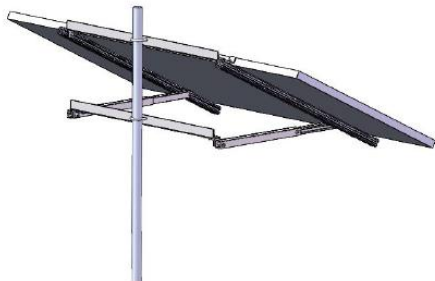


RTL-POLESIDE-800

FOR 1 PANEL UPTO 160W

SYSTEM OVERVIEW



Replace U bolt for Square Bolt if required.

COMPONENT LIST

SIC-EC-35		SIC-R4010	
SIC-L8640		SIC-L5050	
SIC-AD-R		SIC-M12-U	

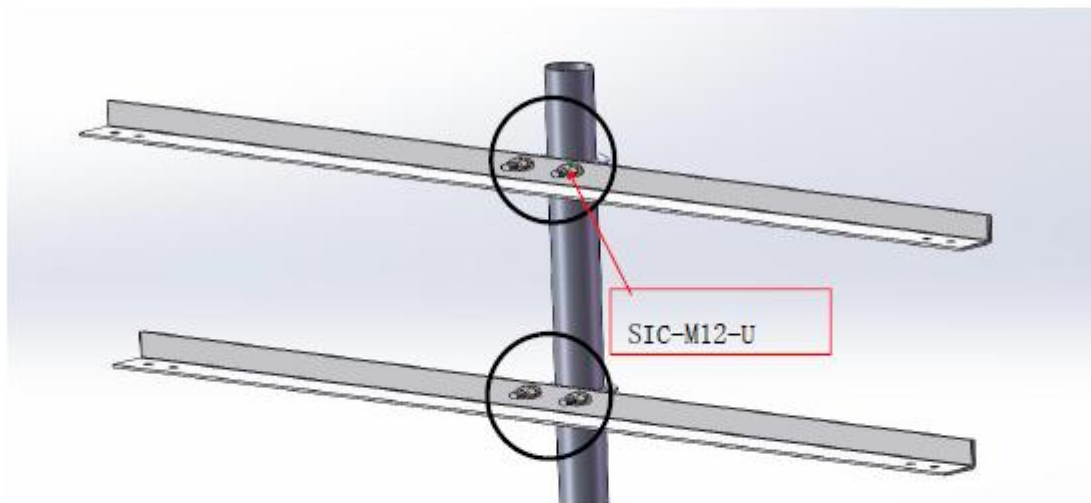
RTL-POLESIDE-800

FOR 1 PANEL UPTO 160W

Step 1: Install angle aluminum SIC-L5050

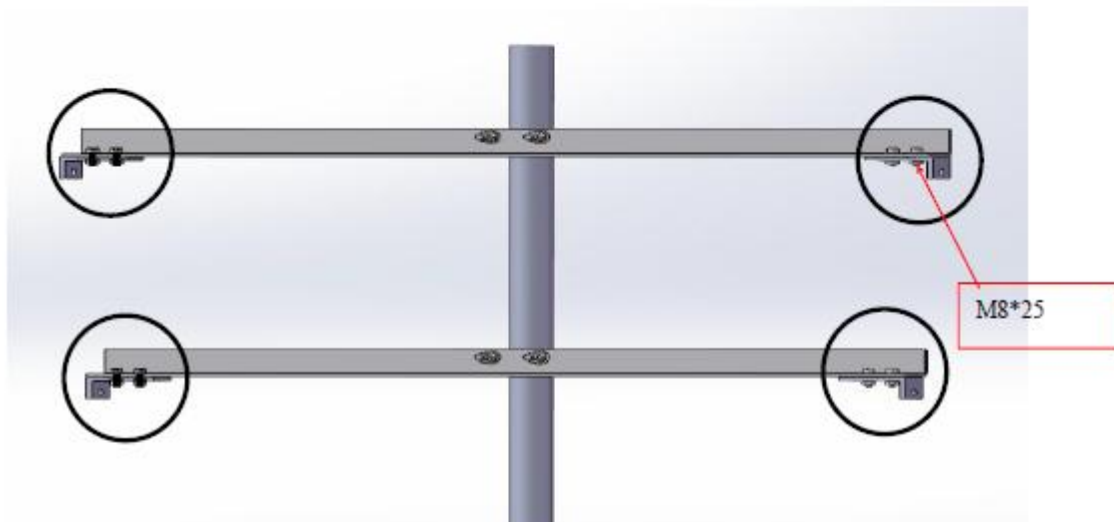
Find the correct position on drawing, then put the U bolt SIC-M12-U on the pole, then use screw to fix them.

*Do not lock it first, install the telescopic tube and adjust it and then lock it, which is easy to install



Step 2: Install L feet SIC-L8640

Use M8*25 bolt to fix L feet on both sides.



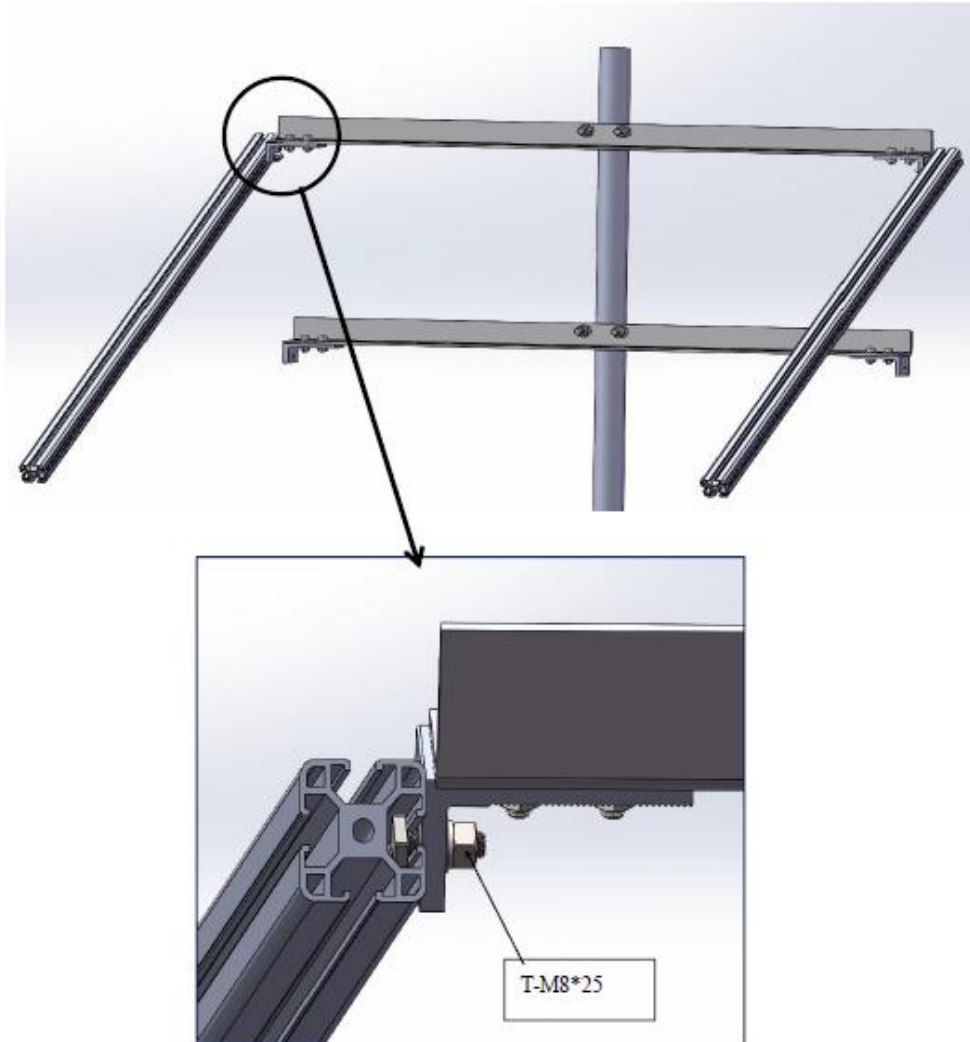
RTL-POLESIDE-800

FOR 1 PANEL UPTO 160W

Step 3: Install Rail SIC-R4010

Fixed two rails SIC-R4010 by assembly L feet, and fixed to SIC-L5050

*Do not lock it first, install the telescopic tube and adjust it and then lock it, which is easy to install

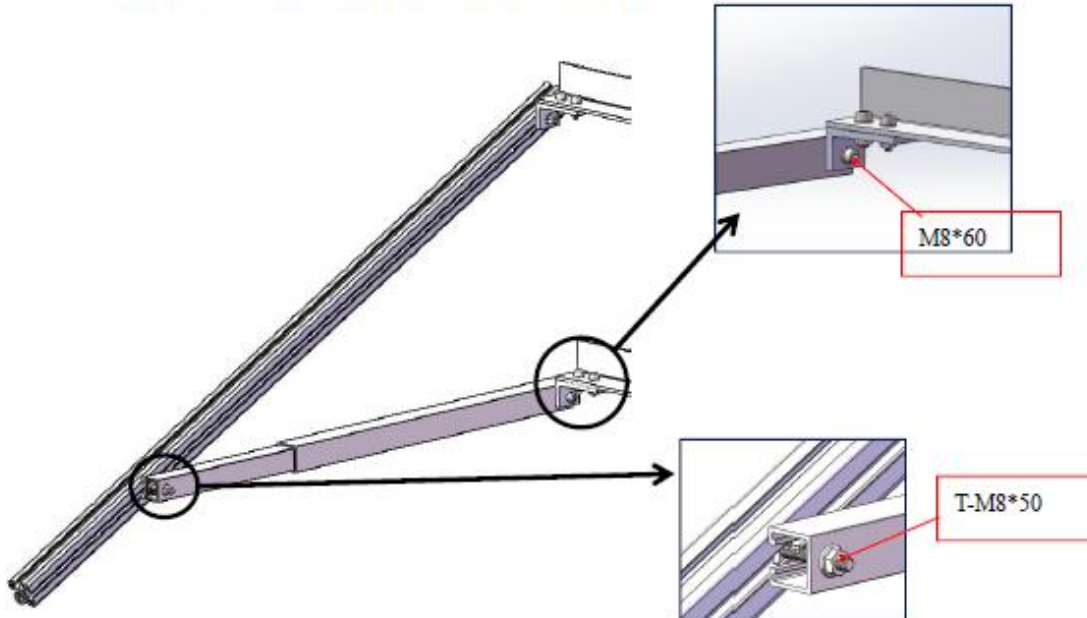


RTL-POLESIDE-800

FOR 1 PANEL UPTO 160W

Step 4: Install and adjust the telescoping tube SIC-AD-R

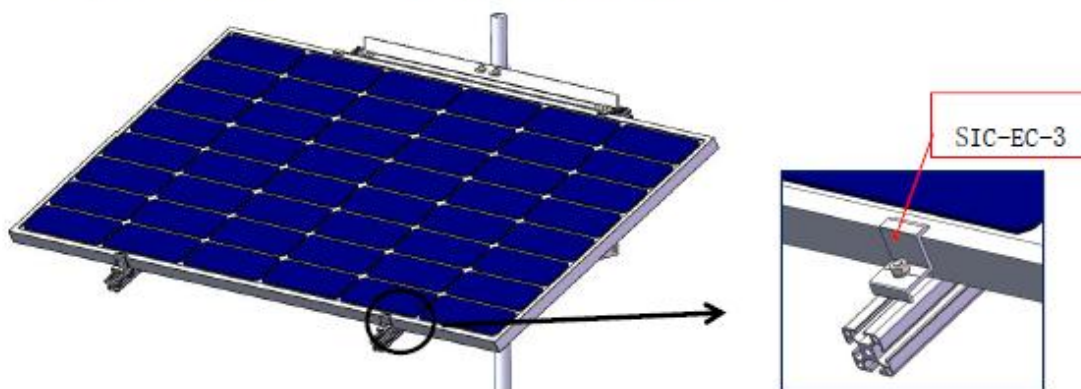
Use bolt fixed the SIC-AD-R to SIC-L8640, then adjust the inner tube of SIC-AD-R fixed to SIC-R4010. Adjust the SIC-AD-R and L feet on the same level.



Adjust the SIC-AD-R and SIC-R4010, and lock them.

Step 5: Install solar panel

Put the solar panel on rail, use end clamp fixed the panel on rails.



Step 6: Installation finished.

Attention: Check all bolt and nut lock perfectly.