

# SeaBlaze mini

The newest member of the SeaBlaze family, the diminutive SeaBlaze Mini packs a surprising punch! SeaBlaze Mini leverages many of the technologies utilized in the world's most popular underwater light, the SeaBlaze3, to ensure years of trouble free service. With an actual MEASURED output of more than 700 lumens, there is simply no better value in underwater lighting. Perfect for smaller trailer boats, skiffs, or dinghies. Available in blue or white output.

Lumitec  
1405 Poinsettia Drive, Suite 10  
Delray Beach, FL 33444  
www.lumiteclighting.com

### Limited Warranty

The product is warranted to be free from defects in workmanship and materials for a period of one year from the date of original purchase. Lumitec is not responsible for product failure caused by abuse, neglect, improper installation, or failure in applications other than those for which it was designed, intended, and marketed. Note that some surface corrosion is expected when bare metals are used in a marine environment.

(continued)

Voltage: 10 - 30vDC  
12vDC Amps: 760mA  
24vDC Amps: 410mA  
Correlated Color Temperature: 6500

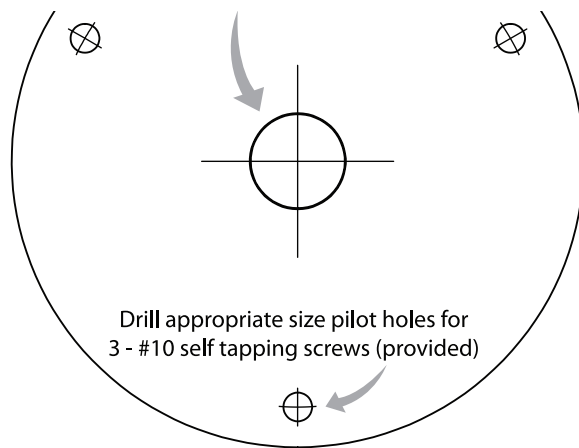


600560

Corrosion of any metal will be especially aggressive if installation is improper, if bonding is improper or if stray currents are active in the vicinity of the boat. Lumitec shall not be liable for defects related to such corrosion. Should your Lumitec product prove defective during the warranty period, promptly notify Lumitec, and return product, freight prepaid. Lumitec will, at its option, repair or replace the product or defective portion without charge for parts or labor, or, at Lumitec, Inc.'s option, refund purchase price. Products repaired or replaced under this warranty shall be warranted for the unexpired portion of the warranty applying to the original product(s). No warranty or affirmation of fact, express or implied, other than as set forth in the limited warranty statement above is made or authorized by Lumitec, Inc. Any liability for consequential and incidental damages is expressly disclaimed. Lumitec liability in all events is limited to, and shall not exceed, the purchase price paid.



1/4" (6.5mm) wire clearance hole followed by a 1/2" diameter (13mm) clearance hole approximately 1/4" (6.5mm) deep



Drill appropriate size pilot holes for  
3 - #10 self tapping screws (provided)

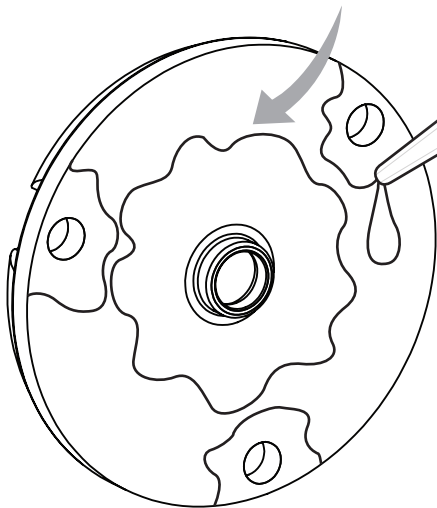
### Mounting and Operation

Determine where your Seablaze Mini light(s) will be mounted. Mounting surfaces should be flat and free of any existing hardware or holes. Check for interference with the trim/tilt of engines, turning of rudders, operation of trim tabs, etc. Ideal mounting locations include transoms, the side and back surfaces of engine brackets, and the undersides of dive platforms. Seablaze Mini lights are not recommended for mounting on running surfaces (e.g., the bottom surface of a hull). For maximum performance Seablaze Mini lights should be mounted 6" to 12" (15cm - 30cm) below the waterline. Mounting at depths greater than 30" (75cm) below the waterline is not recommended. Drill holes as indicated and mount using fasteners provided. All holes must be thoroughly sealed and light(s) should be bedded with a quality polyurethane marine sealant.

As with any on-board electrical device, Seablaze Mini lights should only be connected to a circuit which is appropriately protected by a fuse or circuit breaker. Seek the advice of a qualified marine electrician if necessary.

Lights may be mounted above or below water. In applications where lights are run out of water for prolonged periods of time the SeaBlaze Mini's Active Thermal Management system may temporarily reduce the power of the light (reduce brightness) to ensure long life. This will in no way damage the light or permanently reduce light output.

Thoroughly coat the entire back surface surrounding the mounting stem and screw holes with polyurethane marine sealant.



Lights may be painted, but ONLY with paints explicitly intended for aluminum substrates. Anti-fouling paints which do not explicitly state that they are safe for aluminum substrates can be damaging to the BayBlaze light, and should not be used on surfaces within 1" (2.5cm) of the light.

Once installed, Seablaze Mini lights should be routinely inspected to ensure that all connections, fasteners, and seals are intact.

Drill a 1/4" (6.5mm) wire clearance hole through the transom for routing wires followed by a 1/2" diameter (13mm) clearance hole approximately 1/4" (6.5mm) deep to accommodate the stem on the back of the housing.